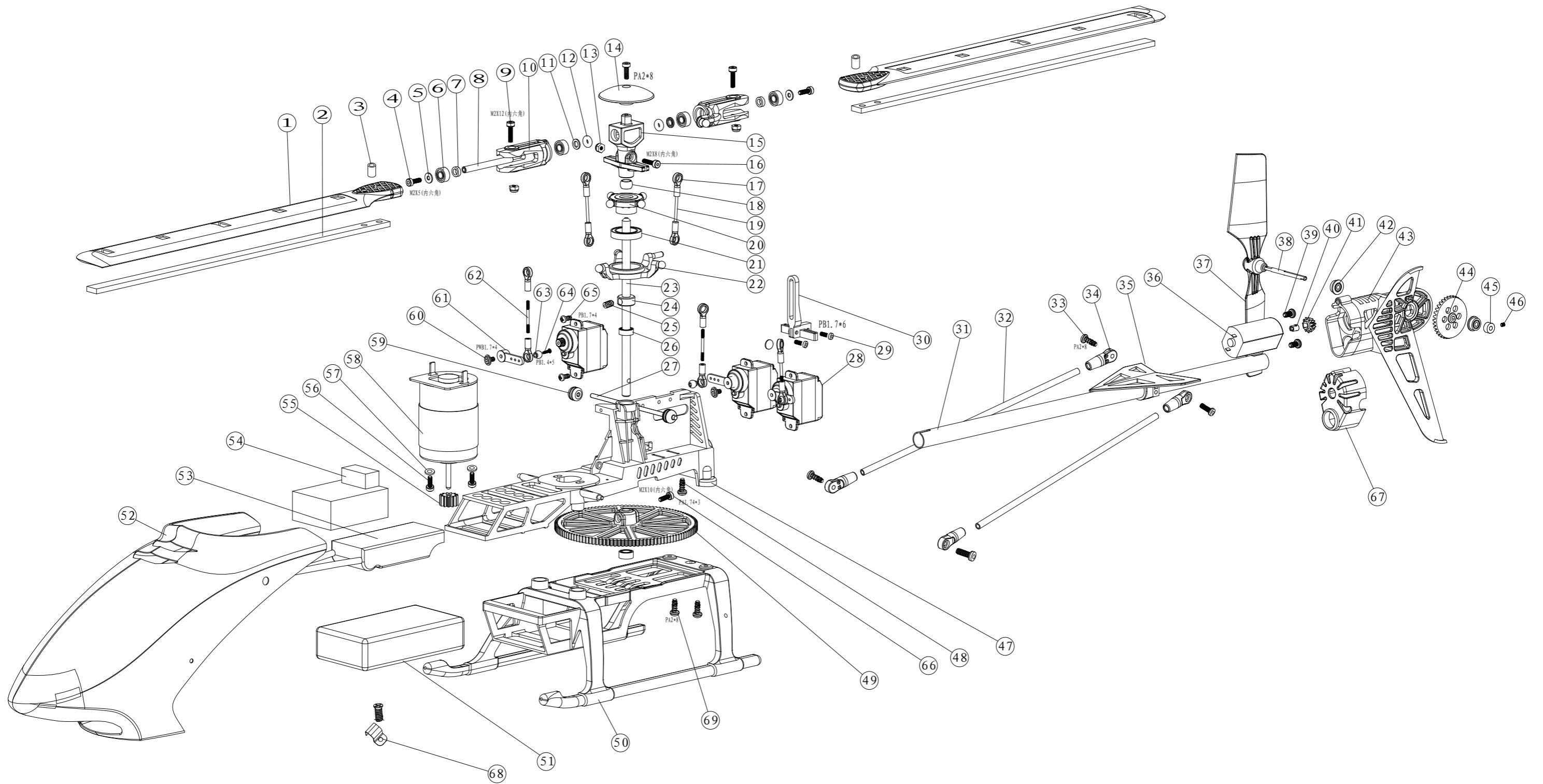


# Master CP



# Master CP

Part Code	Description	Specification	Q'ty
1	Main Rotor Blades		2
2	Main Rotor Blade reinforce pole		2
3	Blade copper set		2
4	Hexagon Socket Head Cap Screw	LS-GB/T70.1 M2x7	2
5	Main blade clip gasket		2
6	Bearing	Φ3xΦ7x3	4
7	Shaft sleeve		2
8	Main Rotor sidelong Shaft		1
9	Hexagon Socket Head Cap Screw	LS-GB/T70.1 M2x12	2
10	Main Rotor Blade grips		2
11	Plain washer		2
12	Rubber ring		2
13	Locking socket nut		4
14	Blade arrester		1
15	Rotor Head		1
16	Hexagon Socket Head Cap Screw	LS-GB/T70.1 M2x8	1
17	Ball Linkage Joint 2		10
18	Copper Ball		1
19	Ball Linkage A		2
20	Inner Swashplate		1
21	Bearing	Φ10xΦ15x4	1
22	Swashplate (Base)		1
23	Main Shaft		1

Part Code	Description	Specification	Q'ty
24	Shaft Lock Sleeve		1
25	Hexagon socket pan head locking screw	LS-GB/T77-M3x3	1
26	Bearing	Φ4xΦ7x3	2
27	Canopy rod		1
28	Servo (7.6g)		3
29	Cross recessed pan head tapping screw	LS-PB1.7x6	3
30	Twin - servo holding frame		1
31	Tail Boom		1
32	Tail skid rod		2
33	Hexagon socket pan rotundity head tapping screw	LS-GB/T70.2 PA2x8	5
34	Tail strut joint		4
35	Horizontal stabilizer		1
36	Tail Motor		1
37	Tail Rotor Blade		1
38	Tail Shaft		1
39	Cross recessed pan head screw	LS-GB/T818-PM2x4	2
40	Gear sleeve		1
41	Tail motor gear		1
42	Step bearing		2
43	Tail gear rack		1
44	Tail gear		1
45	Stern locking block		1
46	Hexagon socket pan head locking screw	LS-GB/T77-M2x2	1

Part Code	Description	Specification	Q'ty
47	Main frame		1
48	Cross recessed pan head tapping screw	LS-PA1.7x4	2
49	Main gear set		1
50	Skid landing		1
51	Battery		1
52	Canopy		1
53	Speed controller		1
54	Receiver		1
55	Main motor gear		1
56	Hexagon Socket Head Cap Screw	LS-GB/T70.1 M2.5x6	2
57	Plain washer (Class C)		2
58	Main motor		1
59	Rubber retainer ring		2
60	Tapping screw with waster		3
61	Bellcrank		3
62	Ball Linkage		3
63	Aluminium Ball		3
64	Cross recessed pan head tapping screw	LS-PB1.4x5	3
65	Cross recessed pan head tapping screw	LS-PB1.7x4	2
66	Hexagon Socket Head Cap Screw	LS-GB/T70.1 M2x10	1
67	Tail Motor sleeve		1
68	Wire fastener		1
69	Cross recessed pan head tapping screw	LS-PA2x8	4